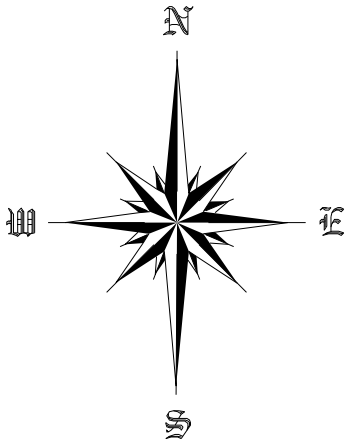
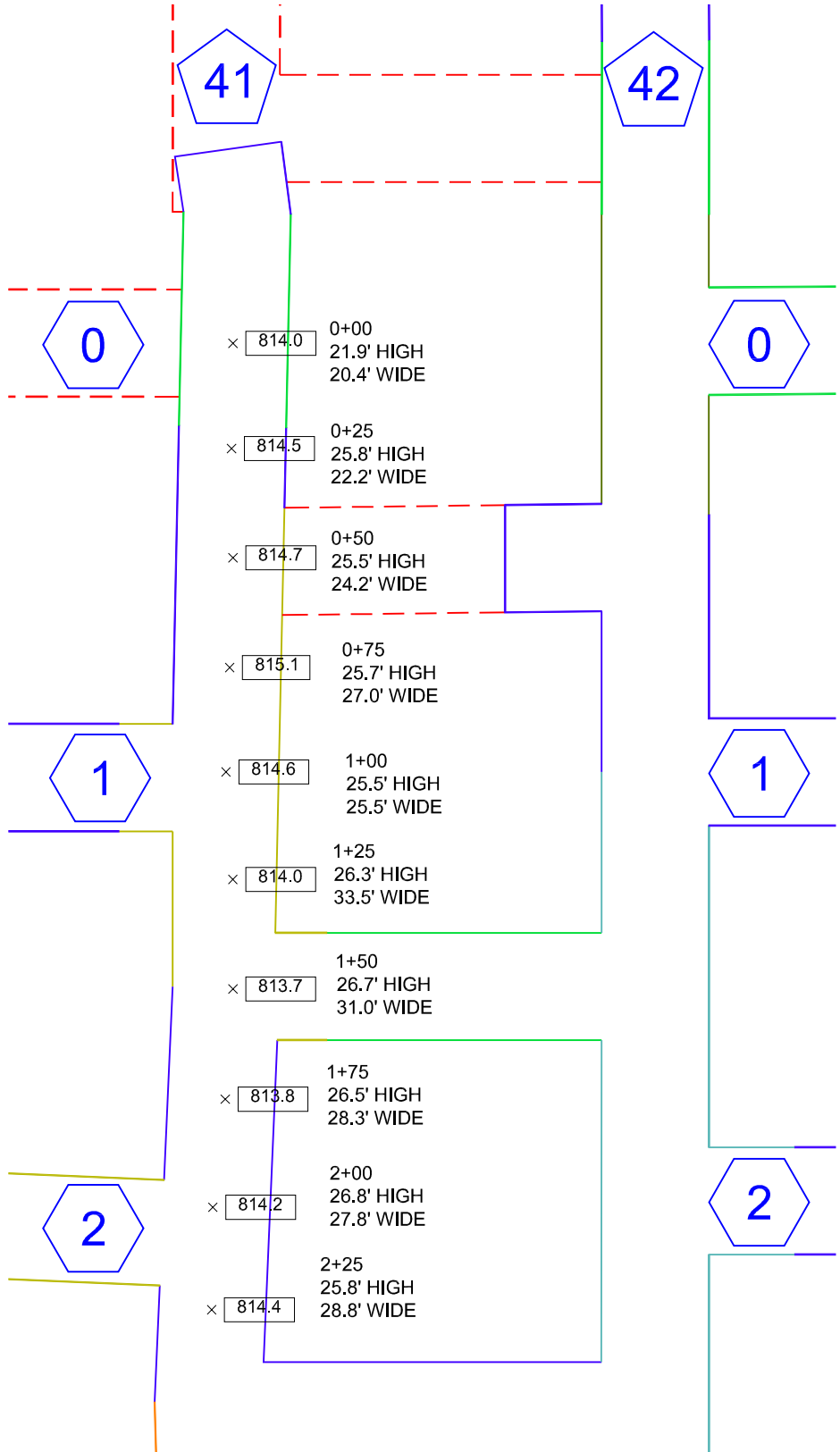


ELEVATION SKETCH



× 814.0 DENOTES CENTERLINE ELEVATION



PREPARED FOR

WISCONSIN INDUSTRIAL SAND COMPANY, LLC
A DIVISION OF FAIRMOUNTSANTROL
MAIDEN ROCK, WISCONSIN

I hereby certify that this survey, plan or report was prepared by me or under my direct supervision and I am a duly registered land surveyor under the laws of the State of Wisconsin.

Thomas M. Healy
Thomas M. Healy, PLS No. S-2546

8/1/2017
Date



Healy Land Surveying
P.O. Box 221
Niagara, WI 54151
Phone: 715-548-0566
info@healysurveying.com

SHEET	SCALE	DATE	DRAWN BY	SURVEY DATE	SURVEYED BY	DRAWING FILE	PROJECT NO.
1 of 1	1"=40'	8/1/2017	TMH	7/26/2017	TMH	17-0516.dwg	17-0516